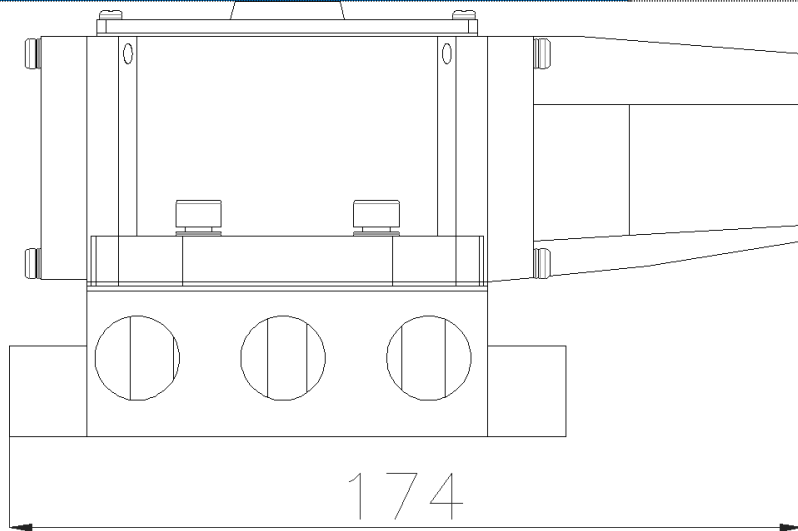
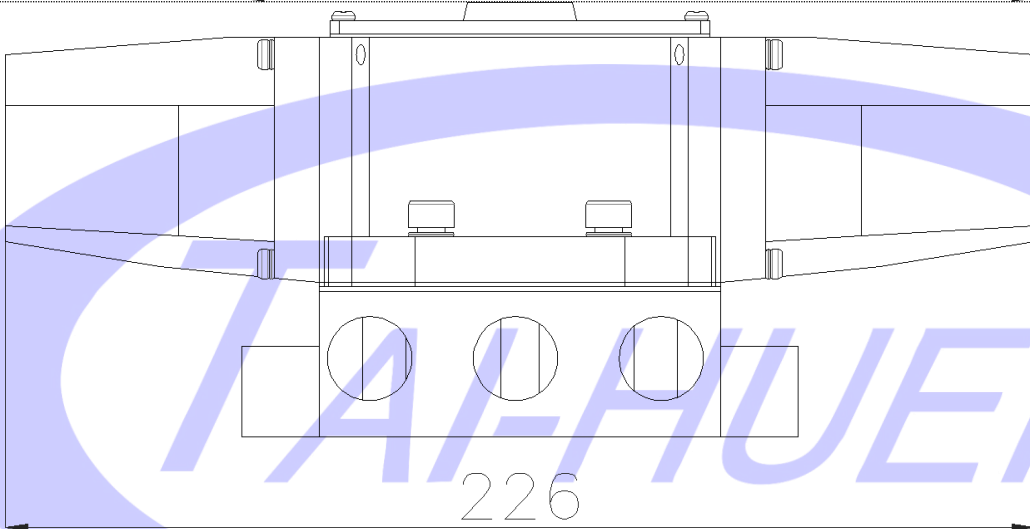


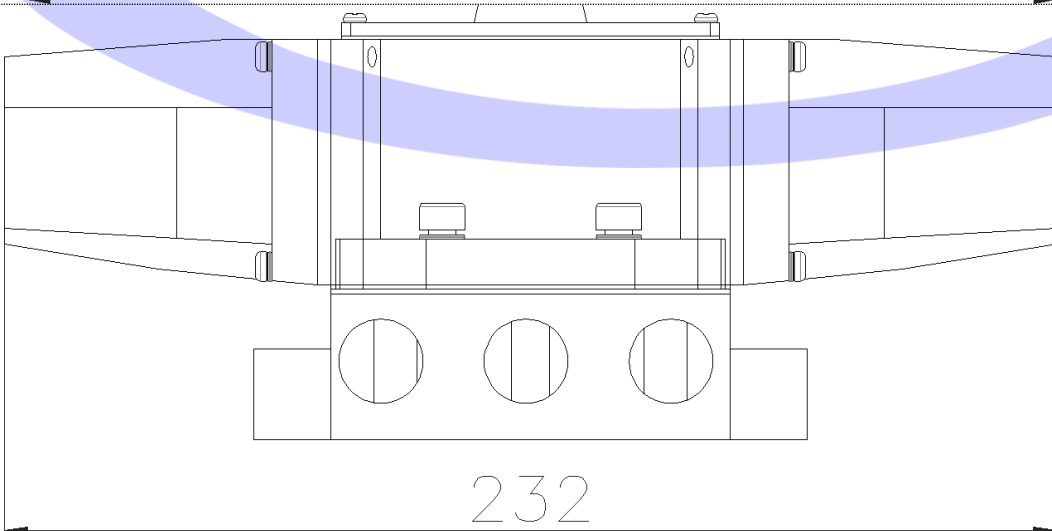
**Pneumatic Directional Magnetic Valve Length & Weight List**



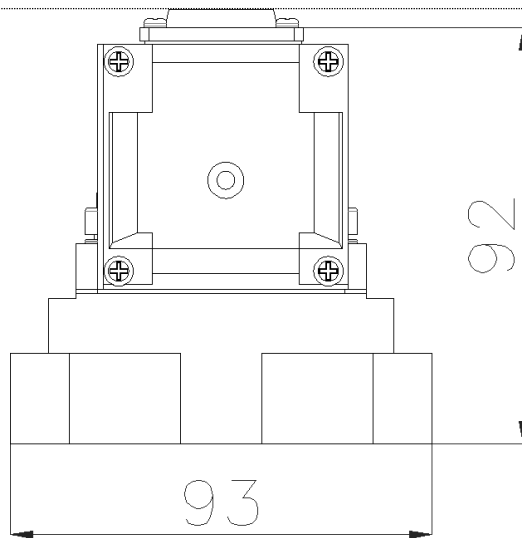
AD15 : weight 1.4 kg



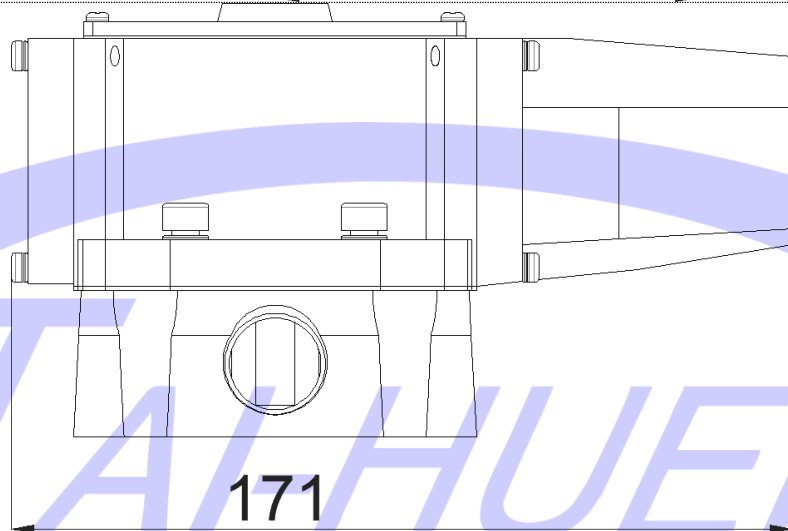
AD25 : weight 1.8 kg



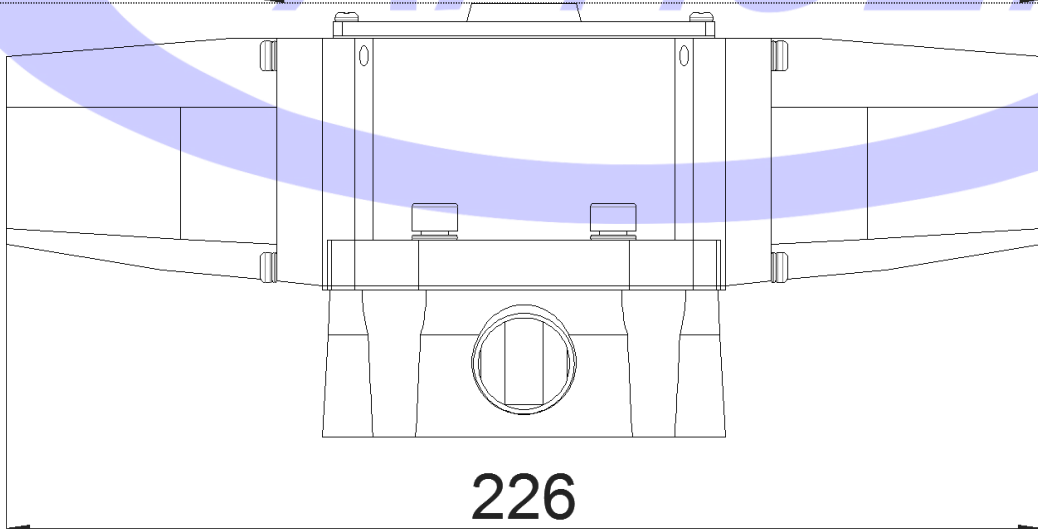
AD35 : weight 1.8 kg



Side View of AD



AS15 : weight 1.3



AS25 : weight 1.7 kg

